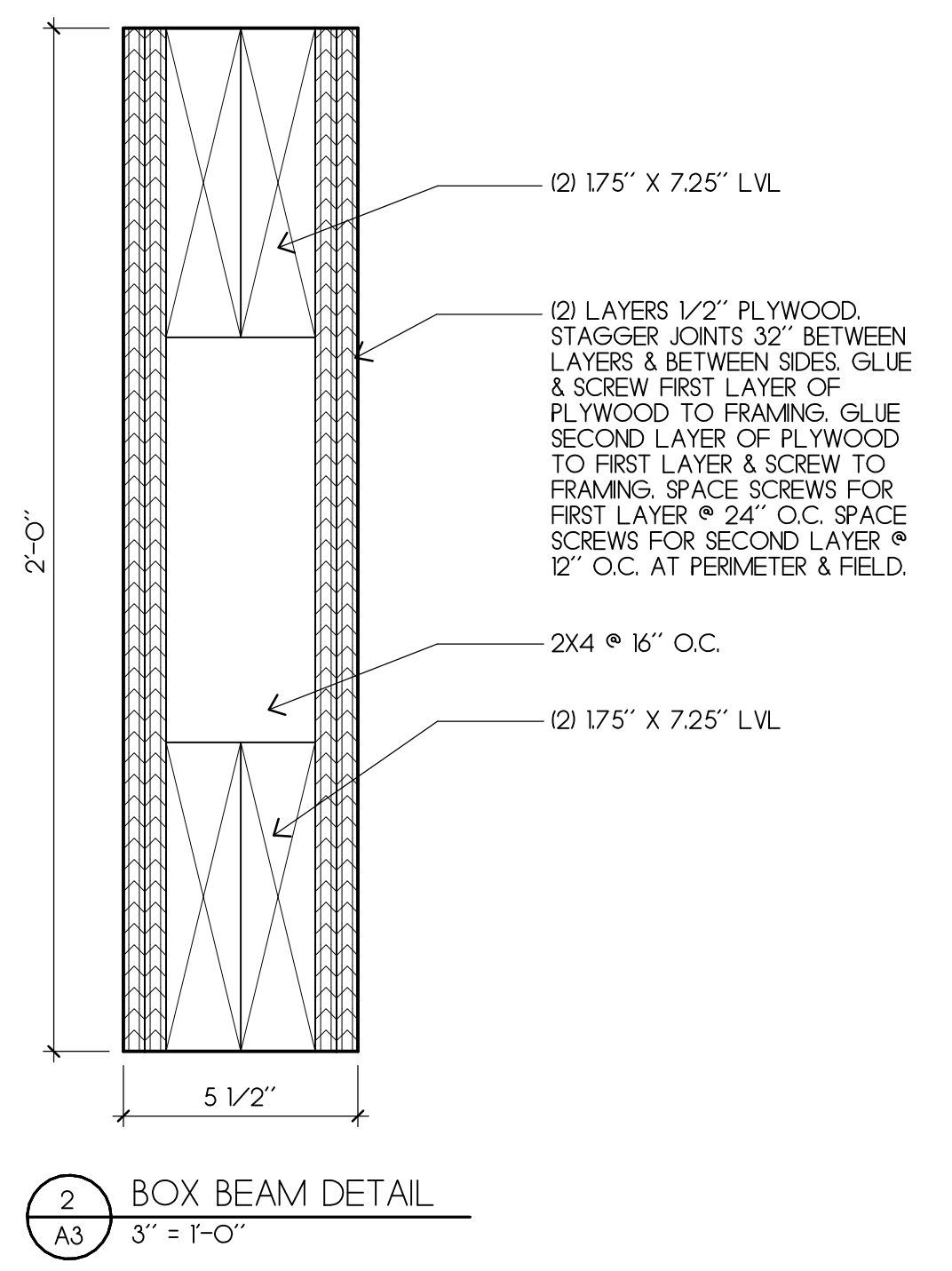
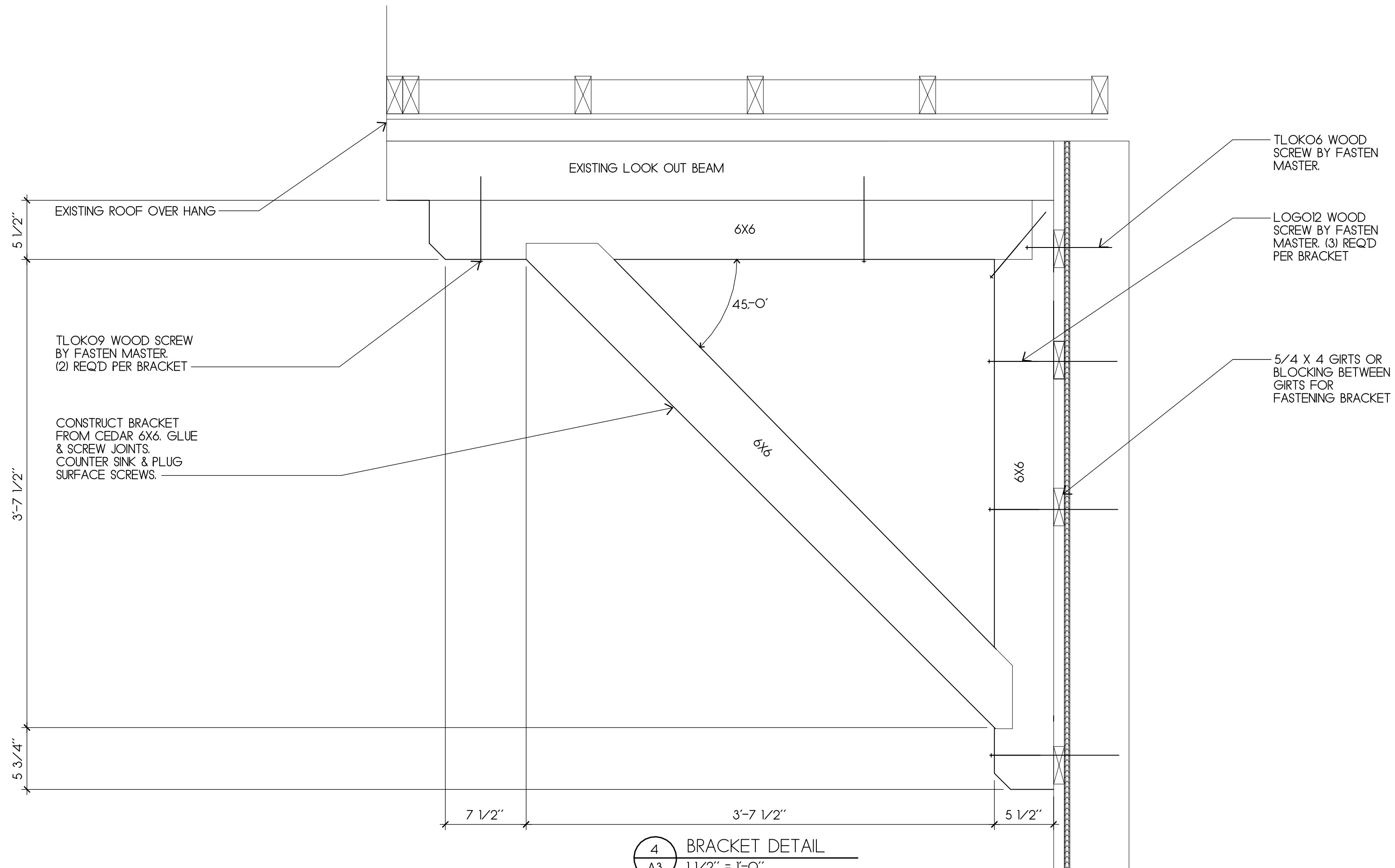


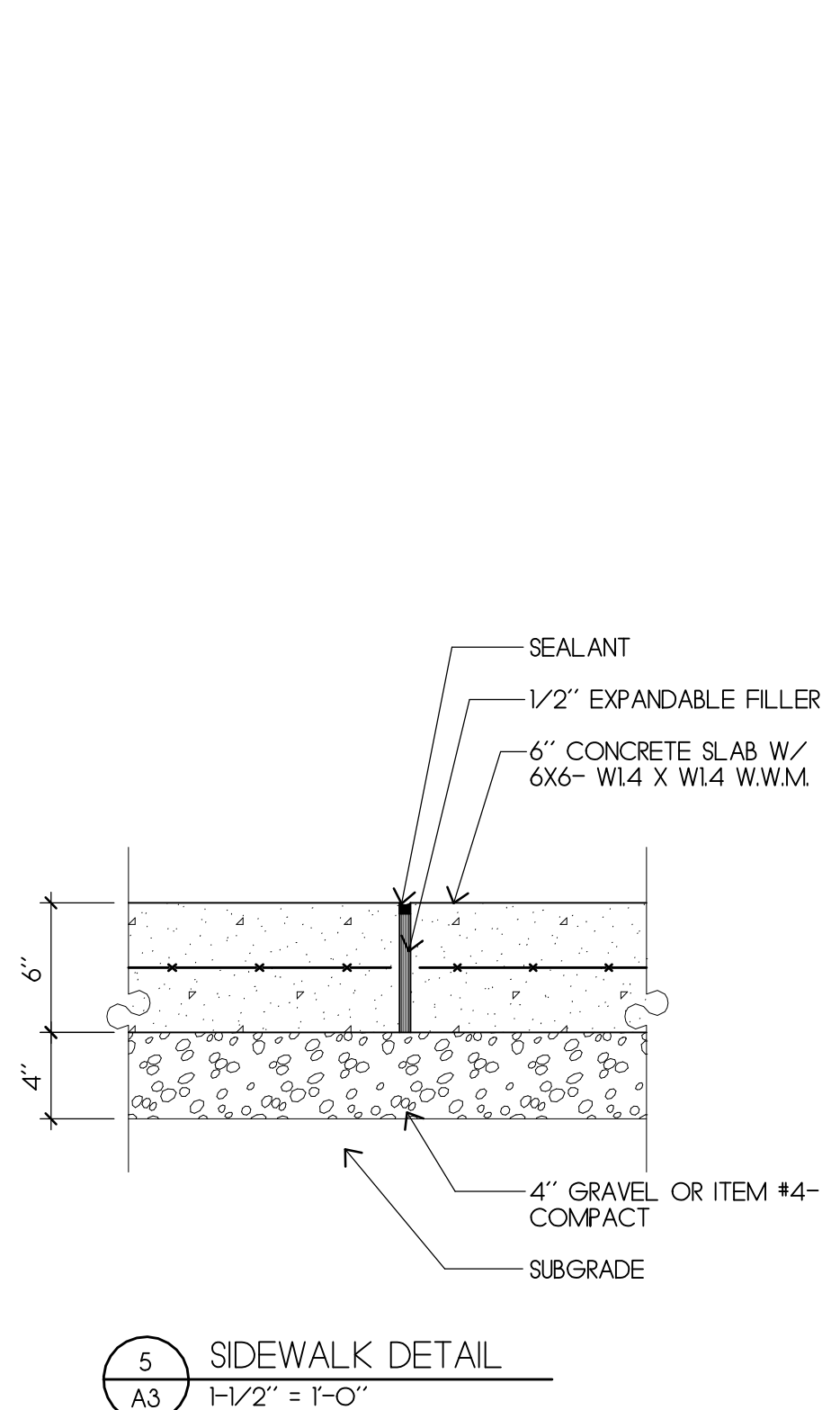
1 HOOD & BRACKET AT NEW MAN DOOR
1 1/2" = 1'-0"



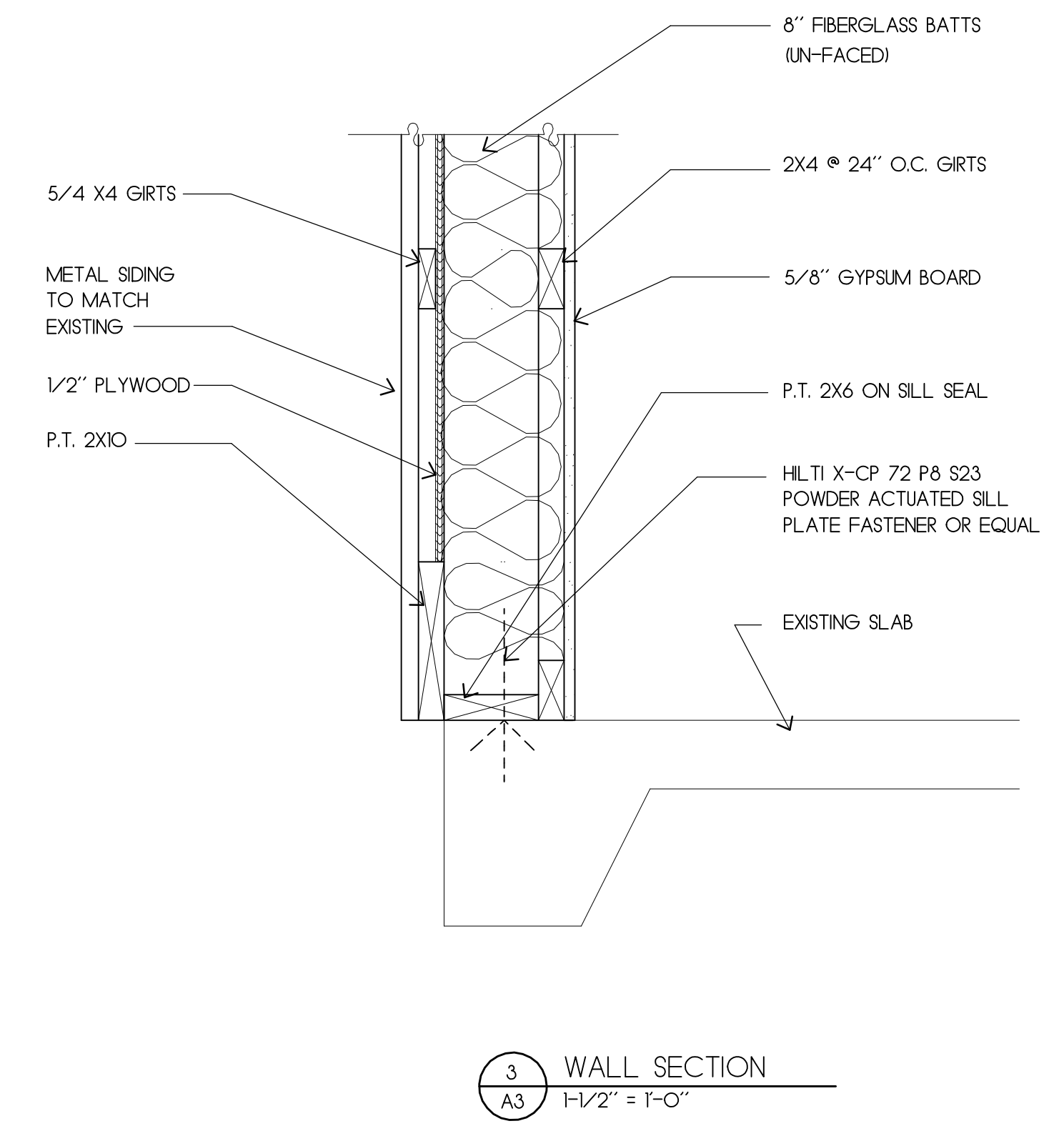
2 BOX BEAM DETAIL
3" = 1'-0"



4 BRACKET DETAIL
1 1/2" = 1'-0"



5 SIDEWALK DETAIL
1 1/2" = 1'-0"



3 WALL SECTION
1 1/2" = 1'-0"

SEAL

Beckwith Group
ARCHITECTS

1380 Route 44, Suite B
Stormville, NY 12582
Tel: 845.635.9315 Fax: 845.635.9430
email: beckwitharchitect@gmail.com
www.beckwitharchitect.com

NEW DOORS FOR THE STORMVILLE FIRE COMPANY SUBSTATION EAST FISHKILL FIRE DEPARTMENT
26 MOUNTAIN TOP ROAD, STORMVILLE, NY 12582

SCALE	As Noted
DATE	09-23-16
DRAWN BY	DAB/RAM

REVISION	DATE	DESCRIPTION
1	10/14/16	CLIENT REVIEW REVISIONS
2	11/08/16	REBUILD COMMUNITY ROOM ENTRY CANOPY
3	12/10/16	FINISH WALL TO EXISTING SLAB

DRAWING TITLE
DETAILS

DRAWING NUMBER

A3

Job Number: 16032